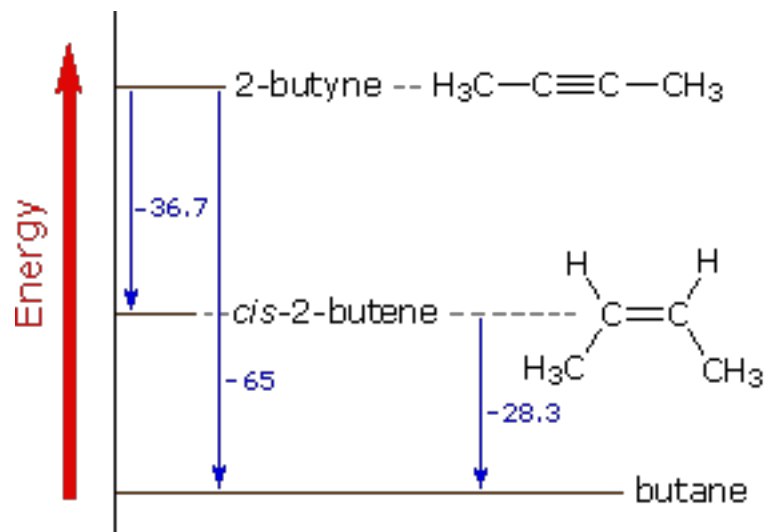
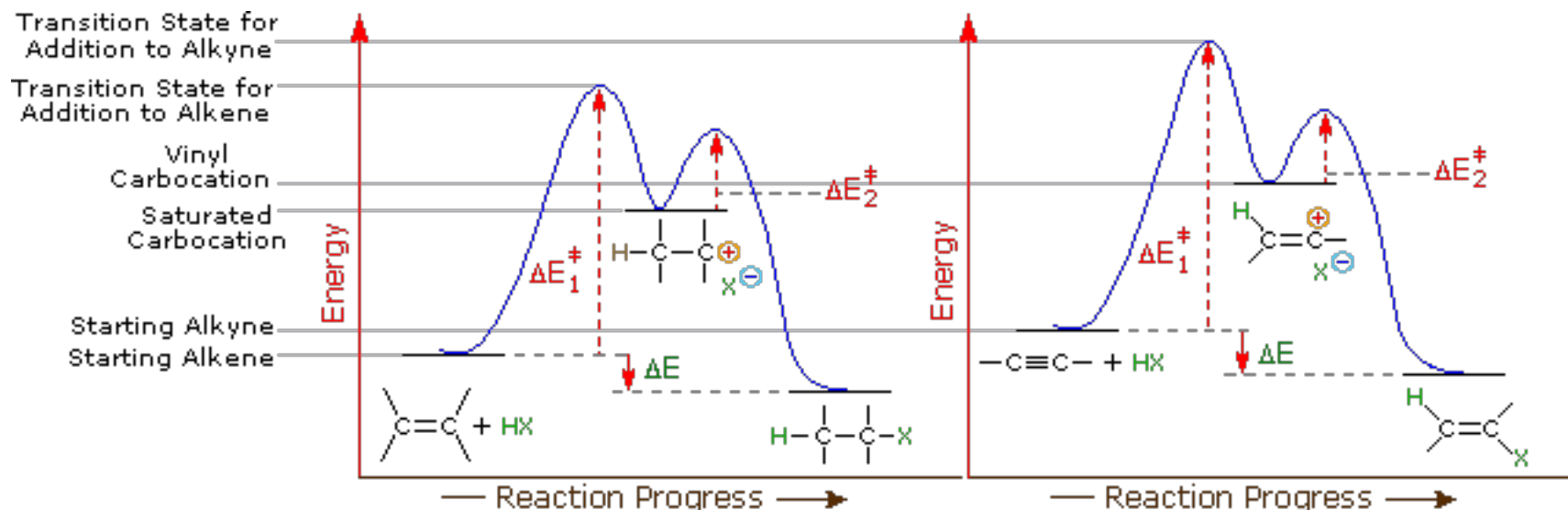


stability



From the heats of hydrogenation, shown in blue in units of kcal/mole, it would appear that alkynes are thermodynamically less stable than alkenes to a greater degree than alkenes are less stable than alkanes.

reactivity



A Comparison of Energy Profiles for Electrophilic Addition to Alkenes and Alkynes