

Terminal units

Michele De Carli

Types of plants

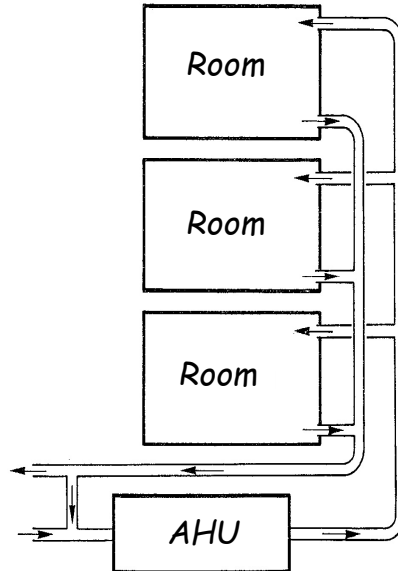
Heat carrier fluid:

- 1. All air plants*
- 2. Water based systems*
 - Two pipes, four pipes*
- 3. Air-water plants*
- 4. High temperature radiant systems*
- 5. Direct expansion systems*

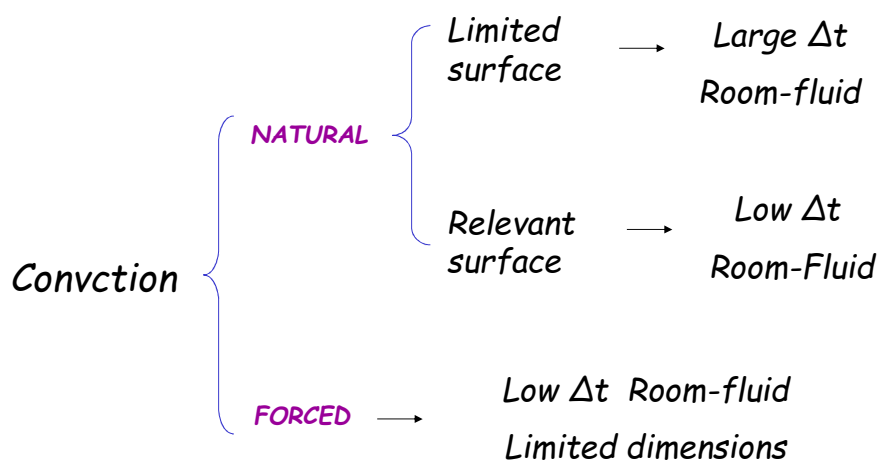
Type of service:

- Just heating*
- Just cooling*
- Heating and cooling*

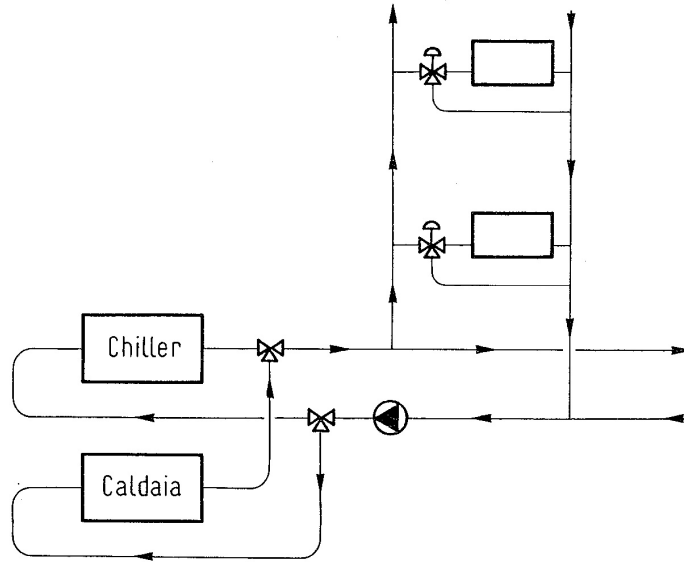
1. All air systems



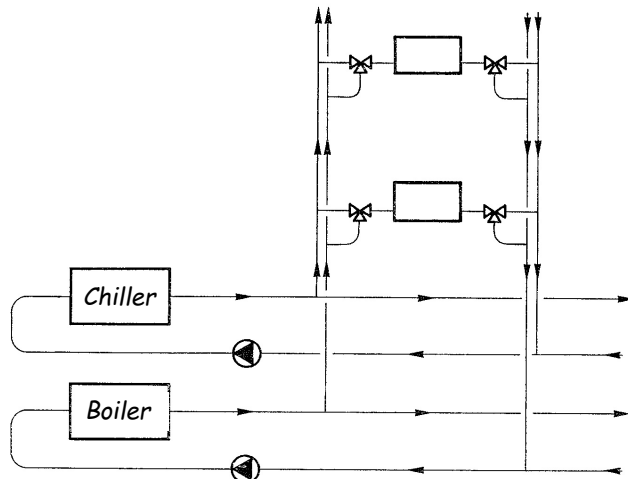
2. Water based systems



Two pipes plant



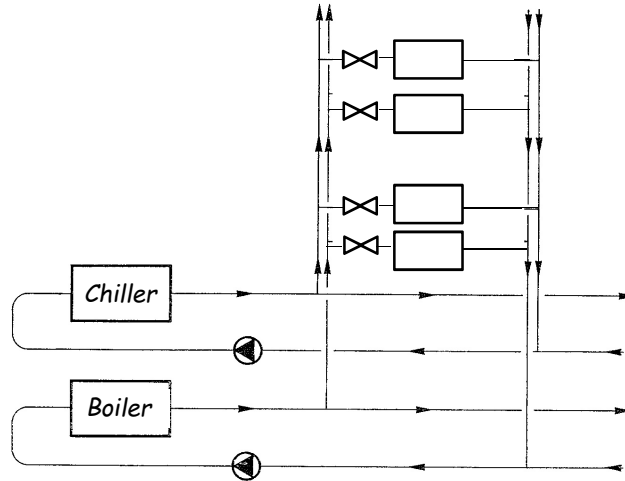
Four pipes plant



Two 3-way valves or 2 different coils

Warmed water
Chilled water

Four pipes plant



Two 3-way valves or 2 different coils

Warmed water

Chilled water

3. Air-water system

AIR

Vapour balance in the room

WATER

Sensible load

